



Energy Meter

DTSU666

User Manual

Please read this manual carefully before use.

Notes and Safety

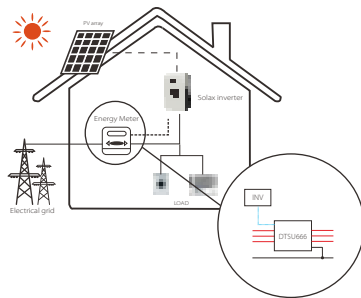
Cut off all power of inverter before installation!
Wait for 5 minutes after power off.

Danger of high voltage!
Danger to life due to high voltage of this machine!

Introduction

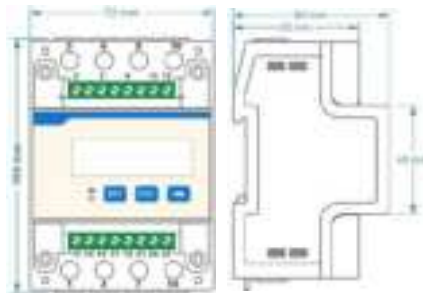
① Basic features

DTSU666 Meter can achieve energy management together with solax three phase inverter. It applies to 80A system on below, measure the import, export and total power and energy.



01

② Terminals and Dimension



1,3,4,6,7,9,10	Three phase input port
24,25	RS485 port

Only authorized personnel is allowed to set the connection.

02

③ Performance and Specification

Model	Voltage	Current	Type
DTSU666	3×220/380V...3×240/415V	0.25-5(80)A	Direct connect

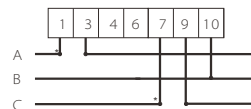
Installation

① Mounting

DTSU666 meter is designed for indoor installation, it could be installed on the wall or other place indoor.

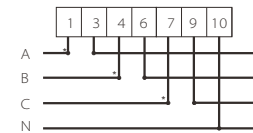
② Wiring diagram

cable size: $\geq 5\text{AWG}$ or $\leq 16\text{mm}^2$



Three phase three wire: direct connect

03



Three phase four wire: direct connect

Communication cable size:
17~23AWG or 0.25~1mm²



04

④ Wiring Connection

Step 1: RS485 terminal connection

1. Prepare a communication cable.
2. Strip the insulation from the communication cable.
3. Connect the meter communication cable and inverter with reference to the inverter manual.
4. Connect the other end of the communication cable to the port 24 and 25 of meter. See the figure below for the connection.

Please note that the same color communication cable is used for the same communication port identifier between the inverter and the meter.

PS: The color of the communication cable in the figure is for reference only. Please refer to the actual situation for the specific connection.

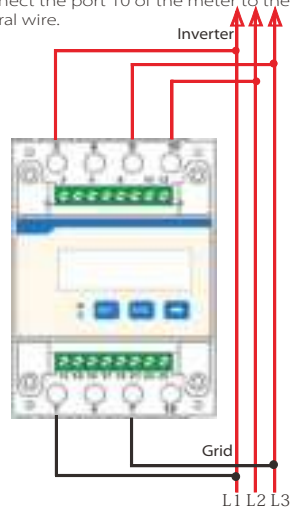


05

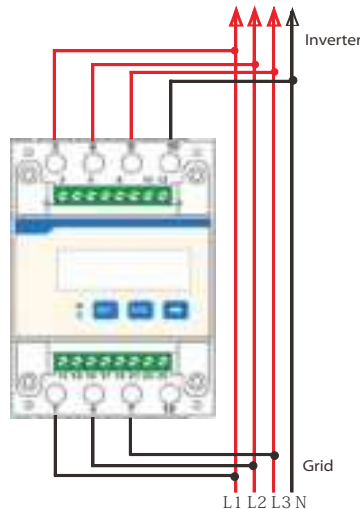


Step 2: Voltage wire connection

- 1.Connect the port 1/4/7 of the meter to the grid terminal.
- 2.Connect the port 3/6/9 of the meter to the load terminal.
- 3.Connect the port 10 of the meter to the neutral wire.



Three phase three wire: direct connect



Three phase four wire: direct connect

LCD description

Symbol	Meaning
Σ	The phase parameter indicates that the data displayed by LCD is a phase parameter.
L	The current running line is sensibility
c	Current running line is capacitive
v	A unit of voltage indicating that the data displayed by the LCD is a voltage.
A	The unit of current indicating that the data displayed by the LCD is current.
W	The active power unit indicates that the data displayed by LCD is active power.
var	A reactive power unit indicating that the data displayed by LCD is reactive power.
PF	Power factor, indicating that the data displayed by LCD is power factor.
Hz	A unit of frequency that indicates that the data displayed by the LCD is frequency
kWh	A reactive power unit indicating that the data displayed by LCD is reactive power.
kvarh	The active power unit indicates that the data displayed by LCD is active power.

Symbol	Meaning
IIIIV	Current running quadrant indication
T1 T2 T3 T4	Current rate period
U1 U2 U3	Determine whether the current three phase voltage is missing (the corresponding Ux flickers).
I1 I2 I3	Determine whether the current three phase current is missing (the corresponding Ix flickers).
— — — — — — — —	Current switch input and output status identification

Warranty Regulation

Terms and conditions

SolaX grants a warranty of 12 months as standard. Starting from the date of the purchase invoice marked. SolaX will only perform warranty service when the faulty unit is returned to SolaX together with a copy of invoice and warranty card which were issued by the dealer and manufacturer to the users. In addition, the type label of the unit must be fully legible. If these requirements are not fulfilled, SolaX reserves the right for all warranty terms and conditions.

Exclusion of liability

Warranty claims are excluded for direct or indirect damage due to:
 1: Use of unit in ways not intended, improper installation and installation that does not comply with standards, improper operation and unauthorized modification to the units or repair attempt.
 2: Without warranty card and serial number.
 3: Operating the units with defective protective equipment.
 4: Influence of foreign objects and force majeure.
 5: Inadequate ventilation.
 6: Violate relevant safety regulations.

To register your SolaX product, please mail this warranty card to:
 SolaX Power Network Technology (Zhejiang) Co., Ltd.
 ADD. No.288 shizhu Road, Tonglu Economic Zone,
 Tonglu City, Zhejiang Province, China.

Tel. +86 571 56260011
 FAX +86 571 56075753
 EMAIL service@solaxpower.com
 WEB www.solaxpower.com

Online warranty registration is available at
<http://www.solaxpower.com/en/warranty-registration/>

Warranty Registration Form

Name Country

Phone Number..... Zip Code

Email

Address

Product Serial Number.....

Date of Commissioning

Installation Company Name

Date of Delivery

Signature